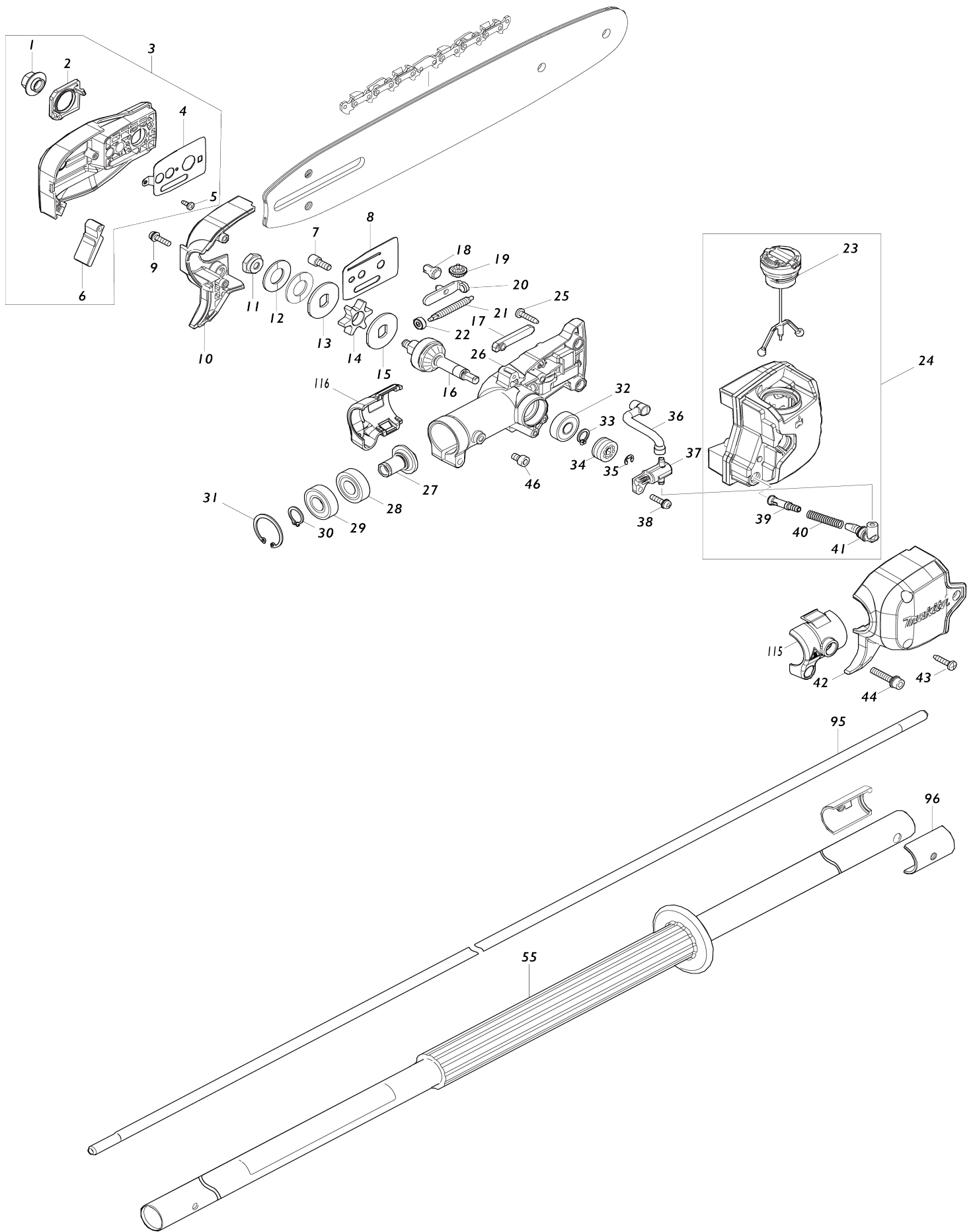
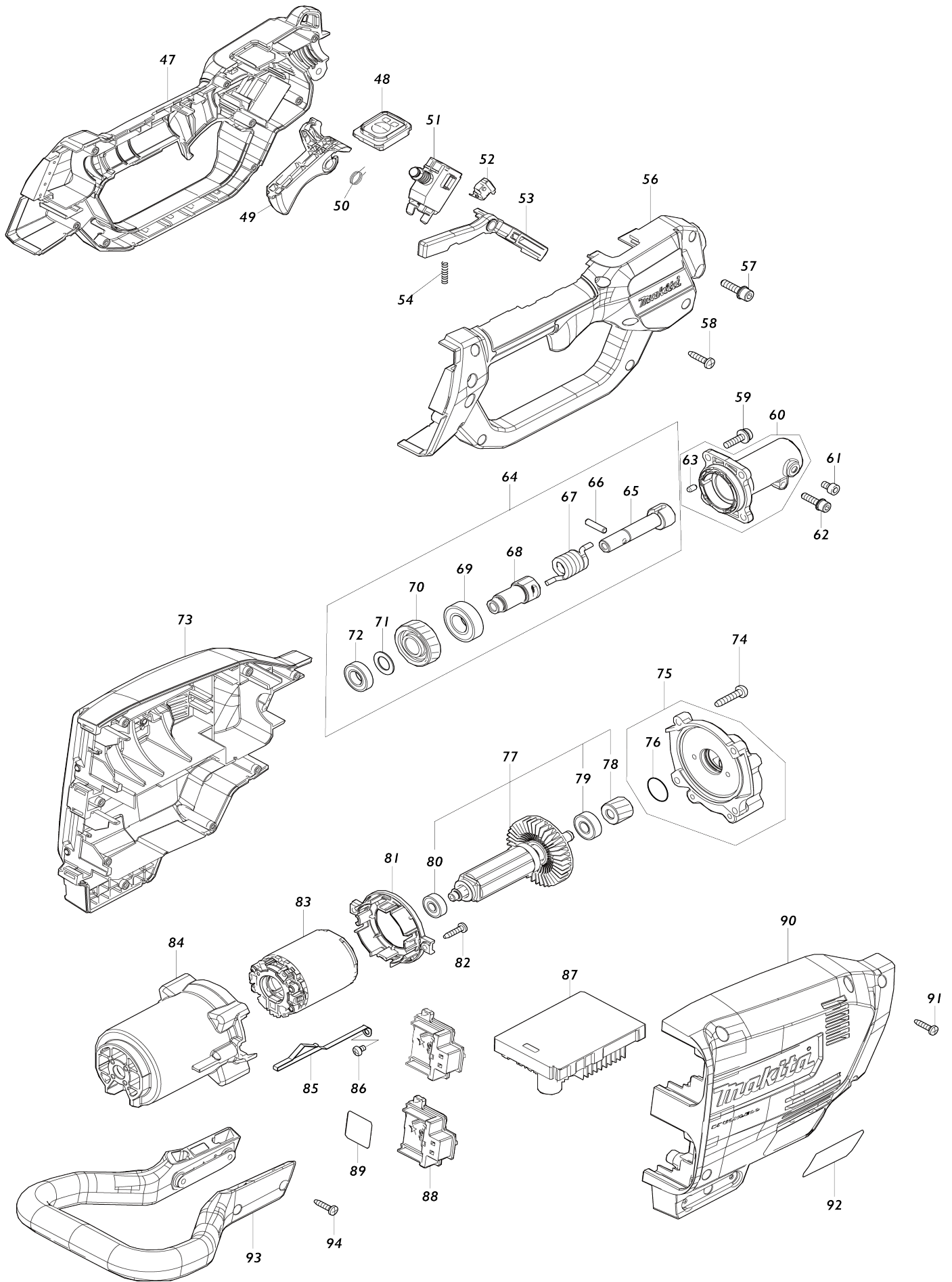


# Model No.DUA300 300MM CORDLESS POLE SAW



# Model No.DUA300 300MM CORDLESS POLE SAW



Model No.DUA300 300MM CORDLESS POLE SAW

Item No.	Parts No.	Description	Interchangability	Q'ty	New/Old	Note1	Note2
001	162494-8	FLANGE NUT COMPLETE		1			
002	412638-3	NUT COVER		1			
003	136373-6	SPROCKET COVER ASSY		1			
D10		INC. 1,2,4-6					
004	347707-0	GUIDE PLATE L		1			
005	265954-0	TAPPING SCREW BIND PT3X8		1			
006	422599-9	CHIP GUIDE		1			
007	266905-6	H.L. SOCKET HEAD BOLT M5X12		1			
008	347708-8	GUIDE PLATE R		1			
009	911128-8	P.H.SCREW M4X16 WITH WR		2			
010	183P83-2	GEAR CASE HOUSING SET		1			
D10		INC. 42					
011	252291-1	HEX. NUT M6		1			
012	232626-2	CORNED DISK SPRING 14		2			
013	347705-4	LOCK WASHER 12		1			
014	226992-7	SPROCKET 6		1			
015	347705-4	LOCK WASHER 12		1			
016	141D34-9	SPINDLE COMPLETE A		1	*		
016-1	140V32-8	SPINDLE COMPLETE	O	1			
017	422602-6	GROMET		1			
018	227620-7	DRIVE GEAR 14		1			
019	227634-6	STRAIGHT BEVEL GEAR 14		1			
020	347706-2	TENSION SLIDE		1			
021	327606-2	ADJUST SCREW		1			
022	227496-2	STRAIGHT BEVEL GEAR 14		1			
023	126832-8	TANK CAP ASSEMBLY		1			
C10	213894-6	O-RING 25		1	*		
C11	213A11-4	O-RING 25	O	1			
024	136372-8	OIL TANK ASSEMBLY		1	*		
D10		INC. 23,39-41					
024-1	137016-3	OIL TANK ASSEMBLY	<	1			
D10		INC. 23,39-41					
025	266326-2	TAPPING SCREW 4X18		3			
026	136301-1	GEAR CASE ASSEMBLY		1	*		
C10	213437-4	O RING 28		1	*		
026-1	137017-1	GEAR CASE ASS'Y	<	1			
C10	213437-4	O RING 28		1			
027	141D35-7	SPIRAL BEVEL GEAR 18 COMPLETE		1	*		
027-1	226995-1	SPIRAL BEVEL GEAR 18	O	1			
028	211131-2	BALL BEARING 6001DDW		1			
029	211148-5	BALL BEARING 6001ZZ		1			
030	961052-5	RETAINING RING (EXT) S-12		1			
031	962106-1	RETAINING RING R-28		1			
032	211491-2	BALL BEARING 609DDW		1			
033	961005-4	RETAINING RING S-9		1			
034	226884-0	WORM GEAR		1			
035	961011-9	STOP RING E-4		1			

036	422600-0	OIL TUBE 3-70		1		
037	140U04-7	OIL PUMP COMPLETE		1	*	
037-1	141N25-0	OIL PUMP COMPLETE	O	1		
038	911128-8	P.H.SCREW M4X16 WITH WR		1		
039	452666-6	NIPPLE		1	*	
039-1	452666-6	NIPPLE	O	1		
040	231975-4	SPRING		1		
041	422601-8	OIL TUBE 3-14		1		
042	183P83-2	GEAR CASE HOUSING SET		1		
D10		INC. 10				
043	266326-2	TAPPING SCREW 4X18		3		
044	922243-3	HEX. SOCKET HEAD BOLT M5X25		1		
046	922202-7	HEX. SOCKET HEAD BOLT M5X8		1		
047	183P85-8	GRIP SET		1		
C10	931202-6	HEX. NUT M5		1		
D10		INC. 56				
048	140V21-3	SWITCH CIRCUIT COMPLETE		1		
C10	819S81-5	SWITCH LABEL		1		
049	459758-2	SWITCH LEVER		1		
050	233622-3	TORSION SPRING 12		1		
051	651438-8	SWITCH C3JW-6B-PAN		1		
052	632G61-0	SWITCH UNIT		1		
053	459759-0	LOCK OFF LEVER		1		
054	233101-1	COMPRESSION SPRING 4		1		
055	140V09-3	PIPE 24 COMPLETE B		1		
C10	8016N5-5	CAUTION LABEL		1		
056	183P85-8	GRIP SET		1		
C10	931202-6	HEX. NUT M5		1		
D10		INC. 47				
057	922233-6	H.S.H.BOLT M5X20 WITH WR		1		
058	266326-2	TAPPING SCREW 4X18		8		
059	911233-1	PAN HEAD SCREW M5X20		4		
060	136371-0	PIPE BRACKET ASSY		1		
D10		INC. 63				
061	922202-7	HEX. SOCKET HEAD BOLT M5X8		1		
062	922233-6	H.S.H.BOLT M5X20 WITH WR		1		
063	263002-9	RUBBER PIN 4		1		
064	127641-8	DAMPER SHAFT ASSEMBLY		1		
D10		INC. 65-72				
065	327600-4	JOINT SLEEVE		1		
066	256964-8	PIN 5		1		
067	232625-4	TORSION SPRING 12		1		
068	327601-2	SPINDLE HUB		1		
069	211232-6	BALL BEARING 6002LLU		1		
070	226997-7	HELICAL GEAR 33		1		
071	253744-3	FLAT WASHER 12		1		
072	211150-8	BALL BEARING 6901ZZ		1		
073	183P84-0	HOUSING SET		1		
C10	263005-3	RUBBER PIN 6		10		
D10		INC. 90				
074	266459-3	TAPPING SCREW 5X25		4		

075	136230-8	GEAR BOX ASSY		1		
D10		INC. 76				
076	213961-7	O RING 22		1		
077	510470-0	ROTOR ASSY		1		
D10		INC. 78-80				
078	226996-9	HELICAL GEAR 16		1		
079	210005-4	BALL BEARING 608DDW		1		
080	210062-2	BALL BEARING 607ZZ		1		
081	459764-7	BAFFLE PLATE		1		
082	266326-2	TAPPING SCREW 4X18		2		
083	629A12-6	STATOR		1	*	
083-1	629C15-2	STATOR	S	1		
084	459763-9	MOTOR HOUSING		1		
085	347620-2	PLATE		1	*	
085-1	654887-8	EARTH PLATE	O	1		
086	911102-6	PAN HEAD SCREW M4X6		1		
087	620C83-8	CONTROLLER		1	*	
087-1	620F57-7	CONTROLLER	<	1		
088	644809-6	TERMINAL		2		
089	857J52-0	DUA300 SERIAL NO. LABEL		1		
090	183P84-0	HOUSING SET		1		
C10	263005-3	RUBBER PIN 6		10		
D10		INC. 73				
091	266326-2	TAPPING SCREW 4X18		8		
092	857J50-4	DUA301 NAME PLATE		1		
093	412645-6	GUARD		1		
094	266326-2	TAPPING SCREW 4X18		4		
095	327608-8	SHAFT		1		
096	312A03-1	SLEEVE 28		2		
115	183R91-5	GEAR CASE COVER SET		1		
D10		INC. 116				
116	183R91-5	GEAR CASE COVER SET		1		
D10		INC. 115				
129	620K74-7	CONTROLLER B	S	1		
130	638A33-7	LEAD UNIT	S	1		
131	652119-7	PAN HEAD SCREW M2X6	S	6		
A01	165245-8	GUIDE BAR 12		1		
A02	419288-5	CHAIN COVER		1		
A03	196740-7	SAW CHAIN SET		1	*	
A03-1	191H01-8	SAW CHAIN 12 SET	O	1		
A04	782023-7	WRENCH 13-16		1		
A05	195923-6	ROUND FILE 4.5 SET		1	*	
A05-1	D-70954	FILE HOLDER SET 4.5MM(11/64")	O	1		
A06	199897-3	OIL VESSEL SET		1		
A10	191K37-5	BAND ASSEMBLY SET		1		
F08	195093-1	CHAIN OIL SET		1		
F09	195923-6	ROUND FILE 4.5 SET		1	*	
F09-1	D-70954	FILE HOLDER SET 4.5MM(11/64")	O	1		
F10	196205-9	SAW CHAIN SET		1	*	
F10-1	191H08-4	SAW CHAIN 10 SET	O	1		
F11	196206-7	SAW CHAIN SET		1	*	
F12	196740-7	SAW CHAIN SET		1	*	

F12-1	191H01-8	SAW CHAIN 12 SET	O	1			
F13	198457-8	CHAIN EDGER SET		1	*		
F13-1	D-70948	FILE HOLDER SET 4.0MM(5/32")	O	1			
F14	199075-5	SAW CHAIN SET		1	*		
F18	1910J6-0	ANGLED ATTACHMENT SET		1			
A12	***DC18RD	DC18RD TWO PORT FAST CHARGER		1			
D10		COMPO-PARTS					
A13	197280-8	BATTERY BL1850B SET		2			

Please state Parts No. when your order.

Print Date 05/24/2024