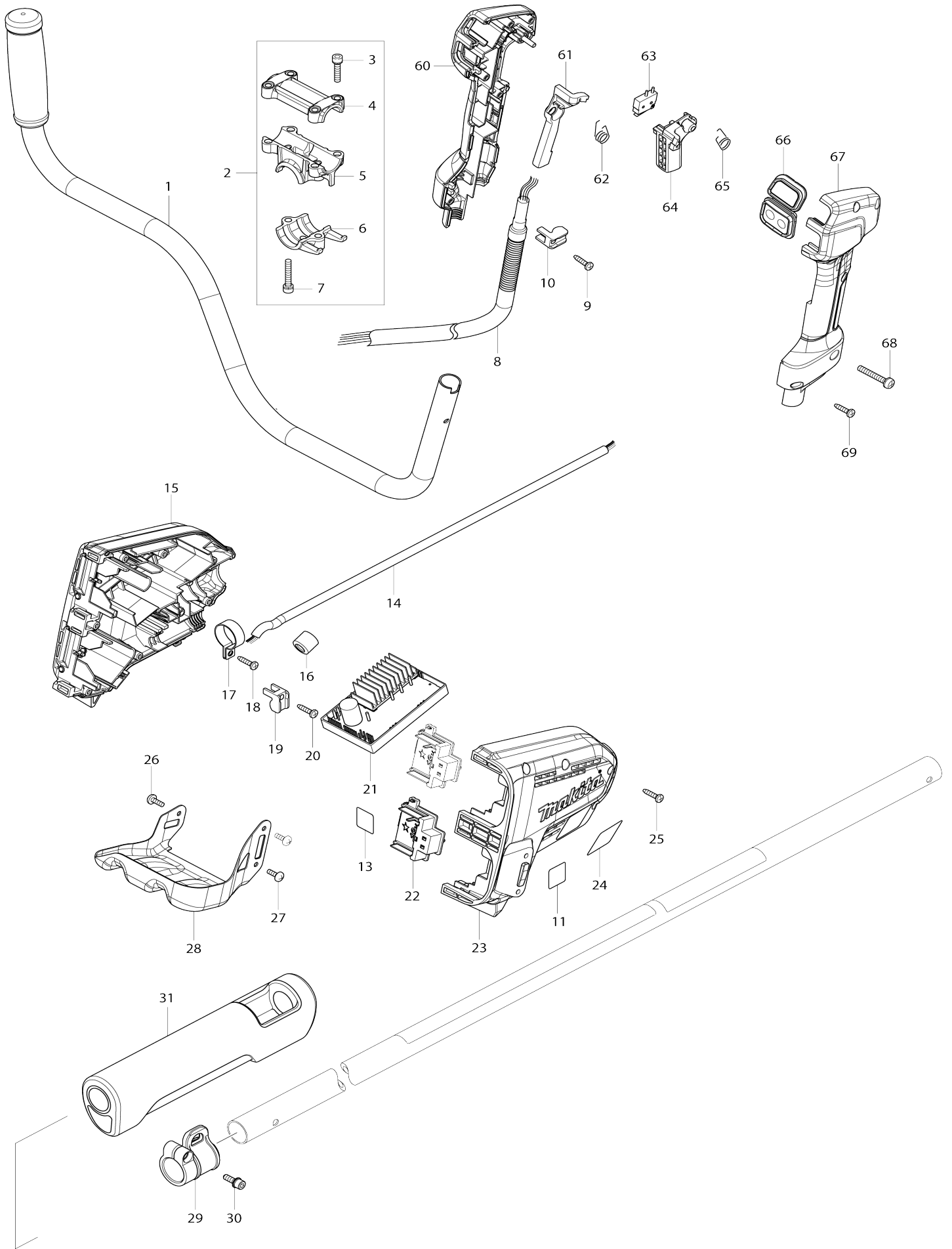
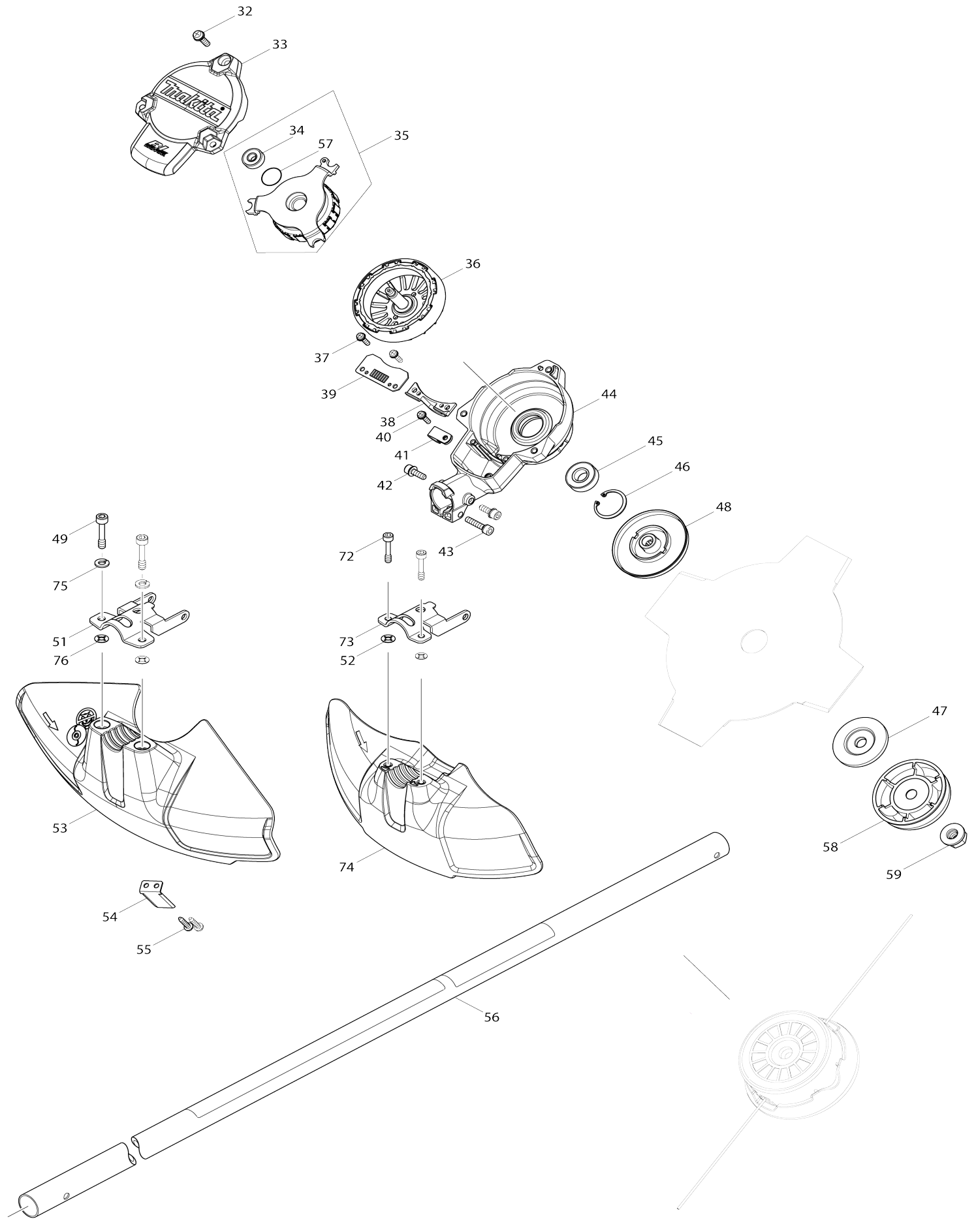


# Model No.DUR368A CORDLESS GRASS TRIMMER



# Model No.DUR368A CORDLESS GRASS TRIMMER



Model No.DUR368A CORDLESS GRASS TRIMMER

Item No.	Parts No.	Description	Interchangability	Q'ty	New/Old	Note1	Note2
001	140L83-1	HANDLE 19 COMPLETE		1			
002	135395-3	HANDLE HOLDER ASS'Y		1	*		
D10		INC. 3-7					
002-1	1830A9-5	HANDLE HOLDER SET	O	1			
D10		INC. 3-7					
003	922241-7	HEX. SOCKET HEAD BOLT M5X25		4			
004	318272-6	HANDLE HOLDER 1		1			
005	318273-4	HANDLE HOLDER 2		1			
006	318274-2	HANDLE HOLDER 3		1			
007	922251-4	HEX. SOCKET HEAD BOLT M5X30		2	*		
007-1	922241-7	HEX. SOCKET HEAD BOLT M5X25	O	2			
008	699118-8	POWER SUPPLY CORD UNIT		1			
009	266326-2	TAPPING SCREW 4X18		1			
010	687260-7	STRAIN RELIEF		1			
011	807E85-5	SOUND 92DB LABEL		1	*		
011-1	800A66-4	SOUND 91DB LABEL	<	1			
013	855V64-9	DUR368A SERIAL NO. LABEL		1			
014	699067-9	POWER SUPPLY CORD UNIT		1			
015	183L33-3	HOUSING SET		1	*		
C10	263005-3	RUBBER PIN 6		4	*		
C20	252126-6	HEX. LOCK NUT M4-7		3	*		
D10		INC. 23					
015-1	183L33-3	HOUSING SET	O	1			
C10	263005-3	RUBBER PIN 6		4			
C20	252126-6	HEX. LOCK NUT M4-7		3			
D10		INC. 23					
016	688163-8	LINE FILTER		1			
017	346248-3	CLAMP 24		1			
018	266326-2	TAPPING SCREW 4X18		1			
019	687260-7	STRAIN RELIEF		1			
020	266326-2	TAPPING SCREW 4X18		1			
021	620A36-5	CONTROLLER		1	*		
021-1	620G00-2	CONTROLLER	<	1	*		
021-2	620J84-8	CONTROLLER	S	1			
022	644808-8	TERMINAL		2			
023	183L33-3	HOUSING SET		1	*		
C10	263005-3	RUBBER PIN 6		4	*		
C20	252126-6	HEX. LOCK NUT M4-7		3	*		
D10		INC. 15					
023-1	183L33-3	HOUSING SET	O	1			
C10	263005-3	RUBBER PIN 6		4			
C20	252126-6	HEX. LOCK NUT M4-7		3			
D10		INC. 15					
024	855V55-0	DUR368A NAME PLATE		1			
025	266326-2	TAPPING SCREW 4X18		7			
026	251314-2	+ SCREW M4X12		1			
027	251314-2	+ SCREW M4X12		2			

028	346858-6	BATTERY GUARD		1		
029	168478-4	HANGER		1		
030	922228-9	H.S.H.BOLT M5X18 WITH WR		1		
031	424463-0	CUSHION		1		
032	911233-1	PAN HEAD SCREW M5X20		3		
033	455626-7	TOP COVER		1		
034	210062-2	BALL BEARING 607ZZ		1	*	
034-1	210269-0	BALL BEARING 607ZZ	O	1		
035	529146-8	STATOR ASS'Y		1	*	
D10		INC. 34,57				
035-1	520136-4	STATOR ASS'Y	<	1	*	
D10		INC. 34,57				
035-2	520135-6	STATOR ASS'Y	O	1	*	
D10		INC. 34,57				
035-3	592E25-3	STATOR ASS'Y	S	1		
D10		INC. 34,57				
036	619462-7	ROTOR		1		
037	911128-8	P.H.SCREW M4X16 WITH WR		2		
038	455628-3	INNER COVER		1		
039	620562-8	CONTROLLER B		1	*	
039-1	620E48-2	CONTROLLER B	O	1	*	
039-2	620J62-8	CONTROLLER B	S	1		
040	911128-8	P.H.SCREW M4X16 WITH WR		1		
041	687042-7	STRAIN RELIEF		1		
042	922223-9	H.S.H.BOLT M5X16 WITH WR		2		
043	922241-7	HEX. SOCKET HEAD BOLT M5X25		1		
044	143039-1	MOTOR HOUSING COMPLETE		1		
045	211131-2	BALL BEARING 6001DDW		1		
046	962106-1	RETAINING RING R-28		1		
047	346084-7	CLAMP WASHER		1		
048	140L84-9	RECEIVE WASHER COMPLETE G		1		
049	266579-3	HEX SOCKET HEAD BOLT M6X30		2		
051	346073-2	PROTECTOR CLAMP		1		
052	261156-6	POLYPROPYLENE WASHER 4		2		
053	455926-5	PROTECTOR		1		
054	346855-2	CUTTER		1		
055	266326-2	TAPPING SCREW 4X18		2		
056	140L89-9	PIPE COMPLETE O		1		
C10	819312-8	MAKITA LOGO LABEL		1		
C20	819N87-3	CAUTION LABEL		1		
057	213325-5	O RING 19		1		
058	168526-9	CUP		1		
059	264025-0	HEX. NUT M10-17		1		
060	183A77-7	GRIP SET		1		
D10		INC. 67				
061	455629-1	LOCK OFF LEVER		1	*	
061-1	413Y35-6	LOCK OFF LEVER	O	1		
062	233621-5	TORSION SPRING 9		1		
063	632E40-6	SWITCH UNIT		1		
064	455816-2	SWITCH LEVER		1		
065	233612-6	TORSION SPRING 10		1		
066	140L81-5	SUB CONTROLLER COMPLETE G		1		

C10	819N38-6	SWITCH LABEL		1		
C20	819N39-4	INDICATION LABEL		1		
067	183A77-7	GRIP SET		1		
D10		INC. 60				
068	911258-5	PAN HEAD SCREW M5X35		1		
069	266326-2	TAPPING SCREW 4X18		5		
072	266896-1	HEX. SOCKET HEAD BOLT M5X20		2		
073	346785-7	PROTECTOR CLAMP		1		
074	455815-4	PROTECTOR		1	*	
074-1	413886-7	PROTECTOR	O	1		
075	253428-3	SPRING WASHER 6		2		
076	413143-3	WASHER		2		
A01	125516-5	BAND ASSEMBLY		1		
A02	198893-8	CUTTER ASSEMBLY 95-M10L SET ME		1		
A04	195150-5	CUTTER BLADE SET		1		
A05	456924-2	TOOL COVER		1		
A06	783202-0	HEX. WRENCH 4		1		
A07	831304-7	ACCESSORY BAG		1		
A08	783217-7	HEX. WRENCH 5		1		
A09	783013-3	BOX DRIVER 16-17		1		
A10	126642-3	PLASTIC BLADE ASSEMBLY255-M 10L		1		
B01	197294-7	PROTECTOR SET		1		
D10		INC. 47,48,52,58,59,72-74				
F07	197472-9	NYLON CORD 2.0-15M SET		1		
F08	197473-7	NYLON CORD 2.0-30M SET		1		
F09	197474-5	NYLON CORD 2.0-160M SET		1		
F10	197475-3	NYLON CORD 2.0-280M SET		1		
F15	198502-9	NYLON CORD 2.4-30M SET		1		
F16	198503-7	NYLON CORD 2.4-120M SET		1		
F17	198504-5	NYLON CORD 2.4-180M SET		1		
A11	***DC18RD	DC18RD TWO PORT FAST CHARG ER		1		
D10		COMPO-PARTS				
A12	197280-8	BATTERY BL1850B SET		2		
A15	450128-8	BATTERY COVER		2		
A02	191D89-4	TRIMMER HEAD 96-M10L SET		1		
D10		COMPO-PARTS				

Please state Parts No. when your order.

Print Date 06/10/2024