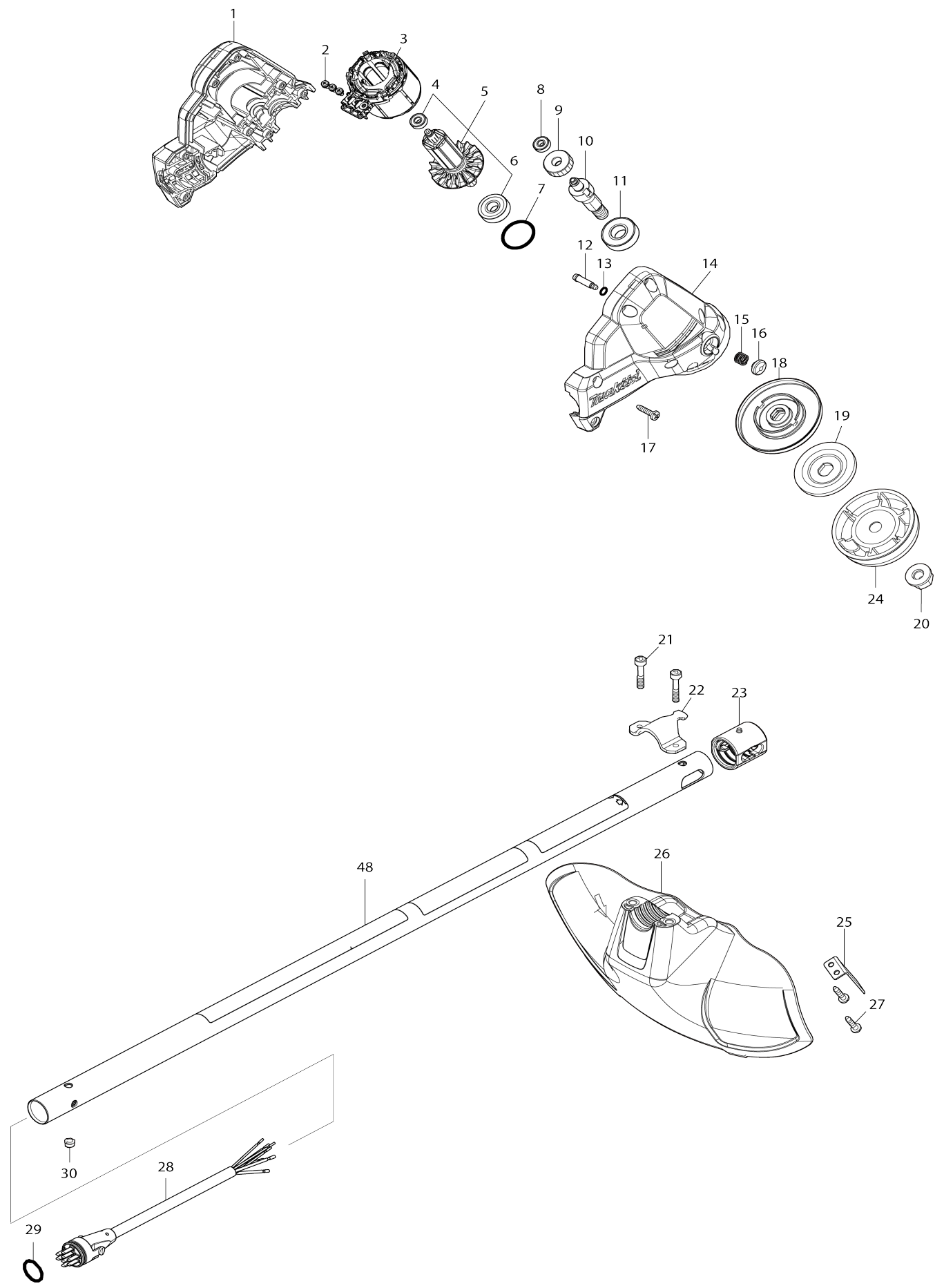
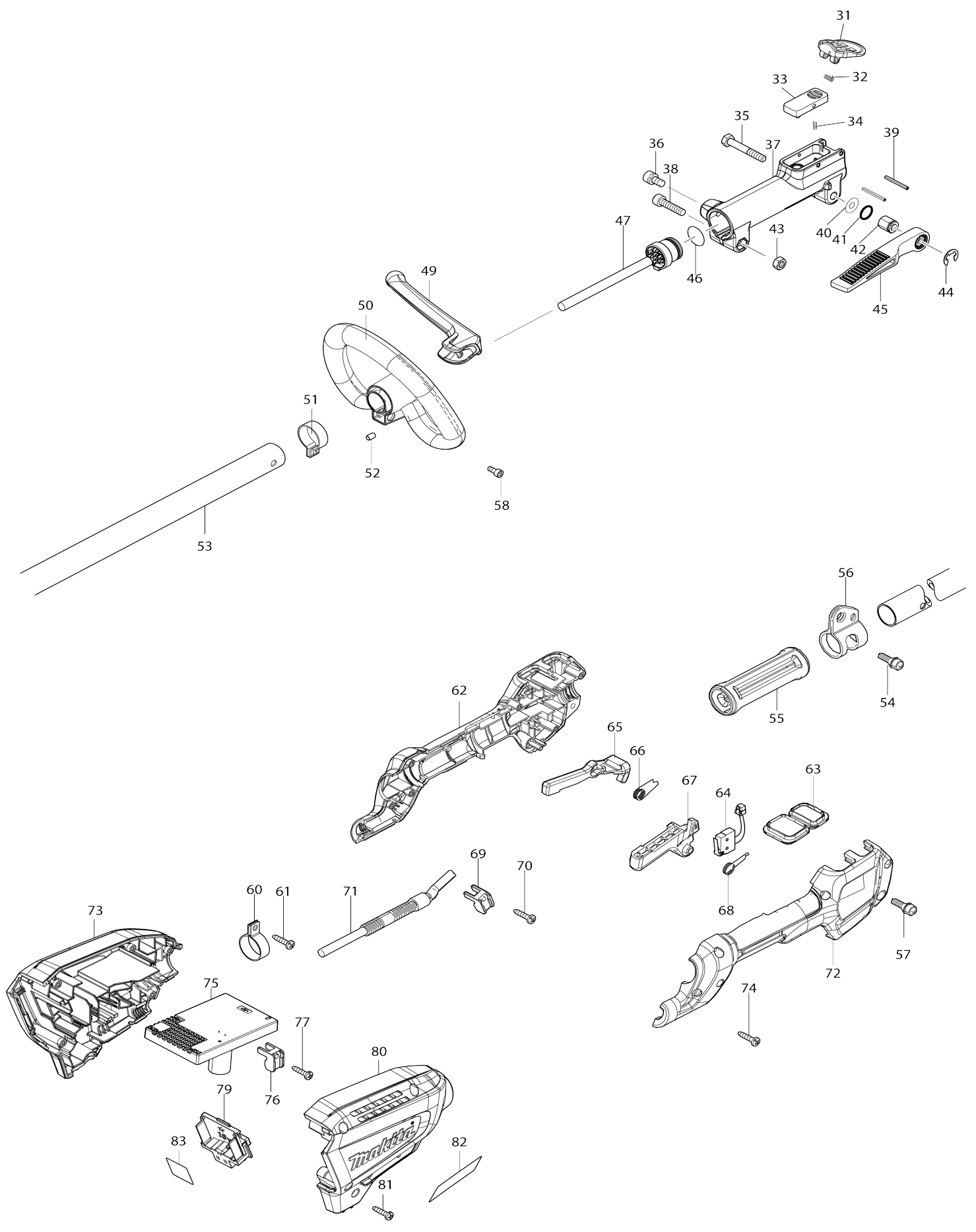


Model No.DUR191L CORDLESS GRASS TRIMMER



Model No. DUR191L CORDLESS GRASS TRIMMER



Model No.DUR191L CORDLESS GRASS TRIMMER

Item No.	Parts No.	Description	Interchangability	Q'ty	New/Old	Note1	Note2
001	183P06-0	MOTOR HOUSING SET		1			
D10		INC. 14					
002	652069-6	FLAT HEAD SCREW M3X6		3			
003	629248-1	STATOR		1			
004	210215-3	BALL BEARING 695ZZ		1			
005	510449-1	ROTOR ASS'Y		1			
D10		INC. 4,6					
006	210049-4	BALL BEARING 609ZZ		1			
007	213380-7	O RING 24		1			
008	210215-3	BALL BEARING 695ZZ		1			
009	221492-2	HELICAL GEAR 26		1			
010	327542-2	CUTTER SHAFT		1			
011	211131-2	BALL BEARING 6001DDW		1			
012	256546-6	SHOULDER PIN 4		1			
013	213021-5	O RING 5		1			
014	183P06-0	MOTOR HOUSING SET		1			
D10		INC. 1					
015	233072-2	COMPRESSION SPRING 8		1			
016	412408-0	PIN CAP		1			
017	266326-2	TAPPING SCREW 4X18		8			
018	140T23-7	RECEIVE WASHER COMPLETE		1			
021	251513-6	H.S.H.BOLT M5X25		2			
022	347667-6	PROTECTOR CLAMP		1			
023	424567-8	RUBBER SLEEVE 24		1			
025	346855-2	CUTTER		1			
026	412392-9	PROTECTOR		1			
027	266326-2	TAPPING SCREW 4X18		2			
028	699088-1	POWER SUPPLY CORD UNIT		1			
029	213275-4	O RING 18		1			
030	326880-9	STOPPER PIN B		1			
031	454304-6	JOINT COVER		1			
032	233604-5	TORSION SPRING 3		1			
033	454303-8	LOCK LEVER		1			
034	233211-4	COMPRESSION SPRING 2		1			
035	265596-0	HEX.BOLT M6X40		1			
036	922311-2	HEX. SOCKET HEAD BOLT M6X12		1			
037	319531-1	JOINT 24 B		1	*		
037-1	312D65-7	JOINT 24 B	<	1			
038	922342-1	HEX. SOCKET HEAD BOLT M6X25		1			
039	258010-3	SPRING PIN 2.5-25		2			
040	253332-6	THIN WASHER 6		1			
041	213105-9	O RING 11		1			
042	252159-1	HEX. NUT M6		1			
043	931302-2	HEX. NUT M6		1			
044	961014-3	STOP RING E-8		1			
045	272268-0	LEVER 94		1			
046	213275-4	O RING 18		1			

047	699087-3	POWER SUPPLY CORD UNIT		1		
048	140T22-9	PIPE COMPLETE A		1		
C10	819N87-3	CAUTION LABEL		1		
C20	819312-8	MAKITA LOGO LABEL		1		
049	143695-7	BARRIER COMPLETE		1		
C10	911128-8	P.H.SCREW M4X16 WITH WR		1		
050	457937-6	LOOP HANDLE 24		1	*	
050-1	413L67-5	LOOP HANDLE 24	O	1		
051	347011-7	PIPE CLAMP 29		1		
052	263005-3	RUBBER PIN 6		1		
053	327546-4	PIPE B		1		
054	922212-4	HEX. SOCKET HEAD BOLT M5X12		1		
055	451601-1	SPACER 24		1		
056	347116-3	HANGER		1		
057	922228-9	H.S.H.BOLT M5X18 WITH WR		1		
058	922212-4	HEX. SOCKET HEAD BOLT M5X12		1		
060	346248-3	CLAMP 24		1		
061	266326-2	TAPPING SCREW 4X18		1		
062	183P04-4	GRIP SET		1		
C10	931202-6	HEX. NUT M5		1		
D10		INC. 72				
063	140T18-0	SUB CONTROLLER COMPLETE		1		
C10	8010M7-8	SWITCH LABEL		1		
C20	8010M8-6	INDICATION LABEL		1		
064	632E26-0	SWITCH UNIT		1		
065	455629-1	LOCK OFF LEVER		1	*	
065-1	413Y35-6	LOCK OFF LEVER	O	1		
066	233621-5	TORSION SPRING 9		1		
067	455625-9	SWITCH LEVER		1		
068	233612-6	TORSION SPRING 10		1		
069	687260-7	STRAIN RELIEF		1		
070	266326-2	TAPPING SCREW 4X18		1		
071	699149-7	POWER SUPPLY CORD UNIT		1		
072	183P04-4	GRIP SET		1		
C10	931202-6	HEX. NUT M5		1		
D10		INC. 62				
073	183P07-8	HOUSING SET		1	*	
C10	263005-3	RUBBER PIN 6		2	*	
D10		INC. 80				
073-1	183T27-6	HOUSING SET		1	*	
C10	263005-3	RUBBER PIN 6		2	*	
C20	422749-6	RUBBER SHEET		1	*	
D10		INC. 80				
073-2	1830T3-0	HOUSING SET	O	1		
C10	263005-3	RUBBER PIN 6		2		
C20	422749-6	RUBBER SHEET		1		
D10		INC. 80				
074	266326-2	TAPPING SCREW 4X18		6		
075	620C56-1	CONTROLLER		1	*	
075-1	620F98-3	CONTROLLER	<	1		
076	687260-7	STRAIN RELIEF		1		
077	266326-2	TAPPING SCREW 4X18		1		

079	644809-6	TERMINAL		1		
080	183P07-8	HOUSING SET		1	*	
C10	263005-3	RUBBER PIN 6		2	*	
D10		INC. 73				
080-1	183T27-6	HOUSING SET		1	*	
C10	263005-3	RUBBER PIN 6		2	*	
C20	422749-6	RUBBER SHEET		1	*	
D10		INC. 73				
080-2	1830T3-0	HOUSING SET	O	1		
C10	263005-3	RUBBER PIN 6		2		
C20	422749-6	RUBBER SHEET		1		
D10		INC. 73				
081	266326-2	TAPPING SCREW 4X18		6		
082	857D26-5	DUR191L NAME PLATE		1		
083	857D32-0	DUR191L SERIAL NO. LABEL		1		
A01	125516-5	BAND ASSEMBLY		1		
A05	198893-8	CUTTER ASSEMBLY 95-M10L SET ME		1		
C10	144259-0	SPOOL COVER COMPLETE		1		
C20	232289-4	COMPRESSION SPRING 15		1		
C30	456640-6	SPOOL HOLDER		1		
C40	456642-2	SPOOL		1		
A06	831304-7	ACCESSORY BAG		1		
A12	783202-0	HEX. WRENCH 4		1		
A13	424596-1	CAP 24		1		
E01	807949-3	SOUND 94DB LABEL		1	*	
E01-1	807E85-5	SOUND 92DB LABEL	<	1		
A07	450128-8	BATTERY COVER		2		
A08	197280-8	BATTERY BL1850B SET		2		
A09	***DC18RC	DC18RC FAST CHARGER		1		
D10		COMPO-PARTS				
A05	191D89-4	TRIMMER HEAD 96-M10L SET		1		

Please state Parts No. when your order.

Print Date 06/10/2024