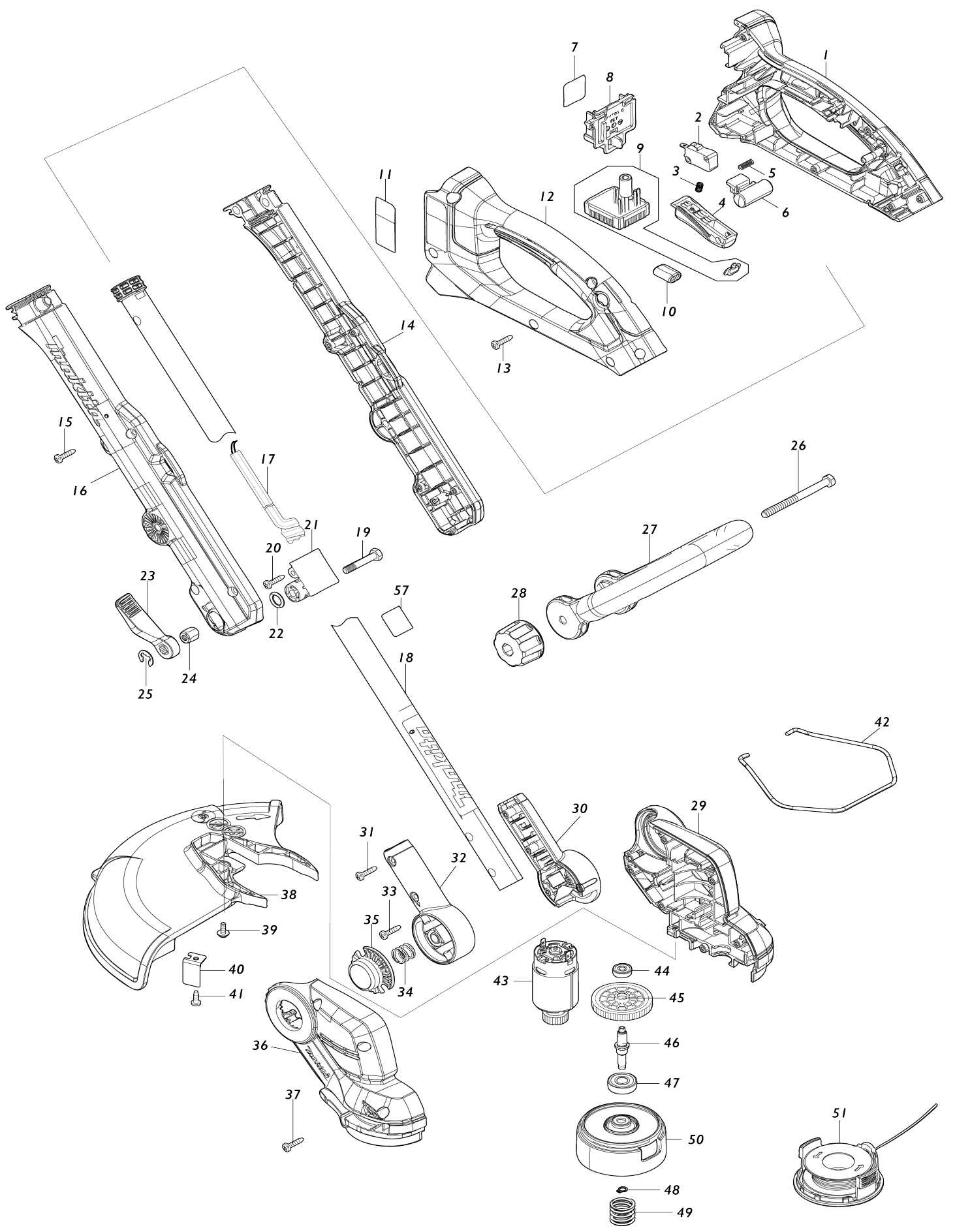


# Model No. DUR193 CORDLESS GRASS TRIMMER



Model No.DUR193 CORDLESS GRASS TRIMMER

Item No.	Parts No.	Description	Interchangability	Q'ty	New/Old	Note1	Note2
001	183V19-7	GRIP HOUSING SET		1			
C10	263005-3	RUBBER PIN 6		2			
D10		INC. 12					
002	650744-8	SWITCH D3V-16-3C26		1			
003	231473-8	COMPRESSION SPRING 4		1			
004	413G06-5	SWITCH LEVER		1			
005	231473-8	COMPRESSION SPRING 4		1			
006	413G05-7	LOCK OFF BUTTON		1			
007	8116T1-7	DUR193 SERIAL NO. LABEL		1			
008	644809-6	TERMINAL		1			
009	620J15-7	CONTROLLER		1			
010	688172-7	LINE FILTER		1			
011	8116S5-2	DUR193 NAME PLATE		1			
012	183V19-7	GRIP HOUSING SET		1			
C10	263005-3	RUBBER PIN 6		2			
D10		INC. 1					
013	266326-2	TAPPING SCREW 4X18		6	*		
013-1	265B67-9	TAPPING SCREW 4X18	O	6			
014	183V18-9	PIPE COVER SET		1			
D10		INC. 16					
015	266326-2	TAPPING SCREW 4X18		4	*		
015-1	265B67-9	TAPPING SCREW 4X18	O	4			
016	183V18-9	PIPE COVER SET		1			
D10		INC. 14					
017	660500-8	POWER SUPPLY CORD		1			
018	141J63-8	PIPE 22 COMPLETE D		1			
C10	413G07-3	PIPE CAP		1			
C20	8049C7-1	MAKITA LOGO LABEL		1			
C30	8045G0-9	CAUTION LABEL		1			
019	265C82-9	HEX. BOLT M6X35		1			
020	266326-2	TAPPING SCREW 4X18		1	*		
020-1	265B67-9	TAPPING SCREW 4X18	O	1			
021	413G10-4	SLEEVE		1			
022	213105-9	O RING 11		1			
023	413G09-9	LEVER 60		1			
024	252133-9	HEX. NUT M6		1			
025	961014-3	STOP RING E-8		1			
026	265C83-7	HEX.BOLT M6X75		1			
027	413F75-0	LOOP HANDLE		1			
028	264072-1	THUMB NUT M6		1	*		
028-1	264072-1	THUMB NUT M6	O	1			
029	183V20-2	MOTOR HOUSING SET		1			
C10	263005-3	RUBBER PIN 6		2			
C20	346275-0	PLATE		1			
D10		INC. 36					
030	183V17-1	PIPE HOLDER SET		1			
D10		INC. 32					

031	266326-2	TAPPING SCREW 4X18		2	*		
031-1	265B67-9	TAPPING SCREW 4X18	O	2			
032	183V17-1	PIPE HOLDER SET		1			
D10		INC. 30					
033	266326-2	TAPPING SCREW 4X18		2	*		
033-1	265B67-9	TAPPING SCREW 4X18	O	2			
034	231113-8	COMPRESSION SPRING 12		1			
035	413G08-1	LOCK OFF BUTTON B		1			
036	183V20-2	MOTOR HOUSING SET		1			
C10	263005-3	RUBBER PIN 6		2			
C20	346275-0	PLATE		1			
D10		INC. 29					
037	266326-2	TAPPING SCREW 4X18		6	*		
037-1	265B67-9	TAPPING SCREW 4X18	O	6			
038	413F73-4	PROTECTOR		1			
039	911119-9	PAN HEAD SCREW M4X12		1			
040	347977-1	CUTTER		1			
041	266427-6	TAPPING SCREW 4X12		1			
042	327969-6	WIRE GUARD		1			
043	629B13-0	DC MOTOR		1	*		
043-1	629B89-7	DC MOTOR	<	1			
044	210235-7	BALL BEARING 625ZZ		1			
045	227949-1	HELICAL GEAR 48		1			
046	327967-0	CUTTER SHAFT		1			
047	210217-9	BALL BEARING 609ZZ		1			
048	961002-0	RETAINING RING S-6		1			
049	231352-0	COMPRESSION SPRING 17		1			
050	413F76-8	SPOOL HOLDER		1			
051	191Y39-5	SPOOL SET MG		1			
057	800A43-6	SOUND 86DB LABEL		1			
A01	127508-0	BAND ASS'Y		1			
A04	***DC18RC	DC18RC FAST CHARGER		1			
D10		COMPO-PARTS					
A05	197600-6	BATTERY BL1830B SET		1			
A06	450128-8	BATTERY COVER		1			
A04	***DC18WC	DC18WC BATTERY CHARGER		1			

Please state Parts No. when your order.

Print Date 06/10/2024