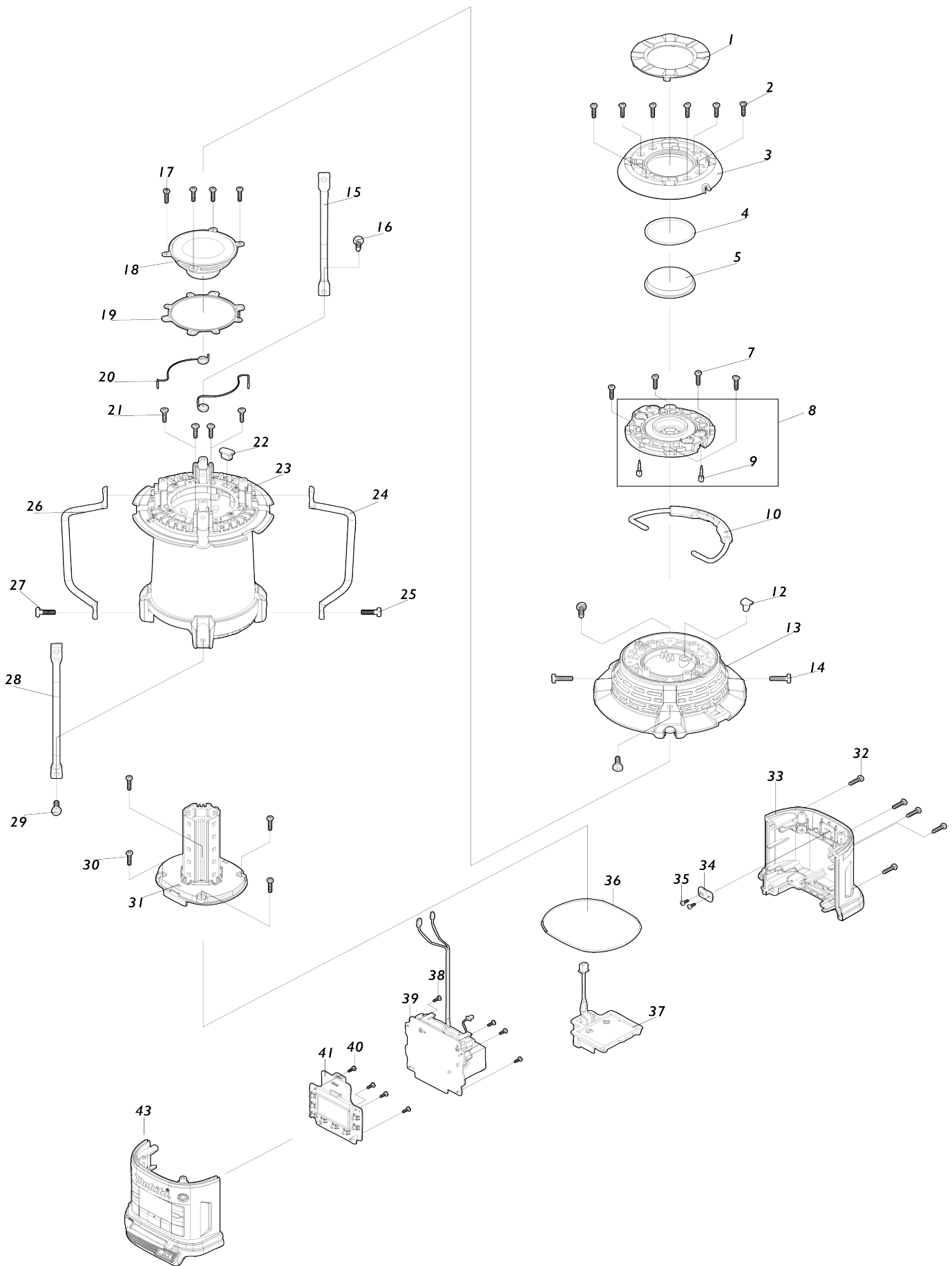


Model No.DMR055 CORDLESS RADIO WITH LANTERN



Model No.DMR055 CORDLESS RADIO WITH LANTERN

| Item No. | Parts No. | Description | Interchangability | Q'ty | New/Old | Note1 | Note2 |
|----------|------------|--------------------------------|-------------------|------|---------|-------|-------|
| 001 | SE00001125 | TOP PANEL | | 1 | | | |
| 002 | SE00001127 | TAPPING SCREW 3X12(ZK) | | 6 | | | |
| 003 | SE00001128 | TOP COVER | | 1 | | | |
| 004 | SE00001129 | O RING D37.8 W2 | | 1 | | | |
| 005 | SE00001183 | COVER | | 1 | | | |
| 007 | SE00001127 | TAPPING SCREW 3X12(ZK) | | 4 | | | |
| 008 | SE00001185 | LED HOLDER ASS'Y | | 1 | | | |
| D10 | | INC. 9 | | | | | |
| 009 | SE00001136 | RUBBER PAD A | | 2 | | | |
| 010 | SE00001137 | HANDLE | | 1 | | | |
| 012 | SE00001186 | WATERPROOF PLUG C | | 1 | | | |
| 013 | SE00001139 | TOP CABINET ASS'Y | | 1 | | | |
| 014 | SE00001140 | HEX SOCKET HEAD BOLT M4X16 | | 4 | | | |
| 015 | SE00001141 | FIXER BAR | | 1 | | | |
| 016 | SE00001142 | HEX SOCKET HEAD BOLT M4X13 | | 1 | * | | |
| 016-1 | SE00001216 | HEX SOCKET HEAD BOLT M4X13 | O | 1 | | | |
| 017 | SE00001127 | TAPPING SCREW 3X12(ZK) | | 4 | | | |
| 018 | SE00001144 | SPEAKER | | 1 | | | |
| 019 | SE00001146 | PACKING | | 1 | | | |
| 020 | SE00001147 | ANT WIRE | | 2 | | | |
| 021 | SE00001127 | TAPPING SCREW 3X12(ZK) | | 4 | * | | |
| 021-1 | SE00001148 | SCREW STB 3X12(MC) | X | 4 | | | |
| 022 | SE00001187 | WATERPROOF PLUG D | | 1 | | | |
| 023 | SE00001150 | LAMP COVER ASS'Y | | 1 | | | |
| 024 | SE00001141 | FIXER BAR | | 1 | | | |
| 025 | SE00001142 | HEX SOCKET HEAD BOLT M4X13 | | 1 | * | | |
| 025-1 | SE00001216 | HEX SOCKET HEAD BOLT M4X13 | O | 1 | | | |
| 026 | SE00001141 | FIXER BAR | | 1 | | | |
| 027 | SE00001142 | HEX SOCKET HEAD BOLT M4X13 | | 1 | * | | |
| 027-1 | SE00001216 | HEX SOCKET HEAD BOLT M4X13 | O | 1 | | | |
| 028 | SE00001141 | FIXER BAR | | 1 | | | |
| 029 | SE00001142 | HEX SOCKET HEAD BOLT M4X13 | | 1 | * | | |
| 029-1 | SE00001216 | HEX SOCKET HEAD BOLT M4X13 | O | 1 | | | |
| 030 | SE00001127 | TAPPING SCREW 3X12(ZK) | | 4 | | | |
| 031 | SE00001188 | PCB D+E ASSY | | 1 | | | |
| 032 | SE00001127 | TAPPING SCREW 3X12(ZK) | | 5 | | | |
| 033 | SE00001189 | REAR BOTTOM CABINET | | 1 | | | |
| 034 | SE00001191 | PCB K ASS'Y | | 1 | | | |
| 035 | SE00001160 | TAPPING SCREW 2X6 | | 2 | | | |
| 036 | SE00001163 | BOTTOM CABINET PACKING D1.5xL2 | | 1 | | | |
| 037 | SE00001192 | TERMINAL | | 1 | | | |
| 038 | SE00001160 | TAPPING SCREW 2X6 | | 4 | | | |
| 039 | SE00001193 | PCB A ASS'Y | | 1 | | | |
| 040 | SE00001160 | TAPPING SCREW 2X6 | | 4 | | | |
| 041 | SE00001195 | PCB C ASS'Y | | 1 | | | |
| 043 | SE00001176 | FRONT BOTTOM CABINET ASS'Y | | 1 | * | | |
| 043-1 | SE00001219 | FRONT BOTTOM CABINET ASS'Y | X | 1 | | | |

| | | | | | | | |
|-----|------------|-----------------|--|---|--|--|--|
| A01 | SE00001178 | STRAP WITH HOOK | | 1 | | | |
|-----|------------|-----------------|--|---|--|--|--|

Please state Parts No. when your order.

Print Date 24/10/2023