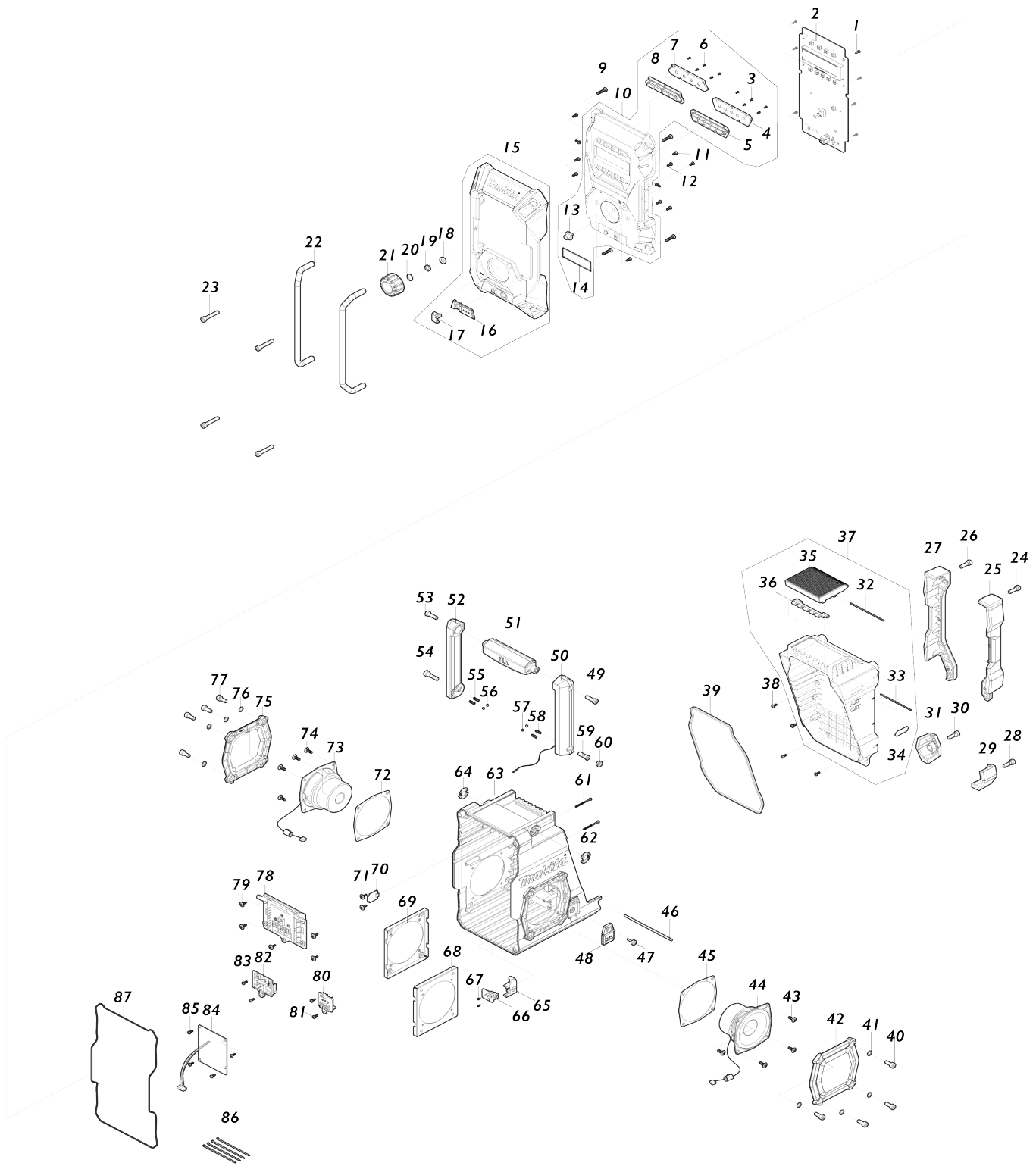


# Model No.MR003G JOB SITE RADIO



Model No.MR003G JOB SITE RADIO

Item No.	Parts No.	Description	Interchangability	Q'ty	New/Old	Note1	Note2
001	SE00000521	SCREW PTB 3X8(ZK) 29S16308001		7			
002	SE00000933	PCB A ASS'Y		1			
003	SE09090011	SCREW 1.7		5			
004	SE00000851	PRESET KEY HOLDER(BLK)		1			
005	SE00000852	PRESET KEY		1			
006	SE09090011	SCREW 1.7		5			
007	SE00000849	POWER KEY HOLDER(BLK)		1			
008	SE00000934	POWER KEY		1			
009	SE09064161	SCREW M4X16		4			
010	SE00000935	FRONT CABINET ASS'Y		1			
D10		INC. 3-8,13,14					
011	SE00000854	SCREW PTF 3X6(ZK)		2			
012	SE00000521	SCREW PTB 3X8(ZK) 29S16308001		9			
013	SE00000855	RUBBER KEY		1			
014	SE00000856	FRONT PACKING		1			
015	SE00000936	FRONT BUMPER		1			
D10		INC. 16,17					
016	SE00000859	JACK RUBBER COVER		1			
017	SE00000860	JACK COVER		1			
018	SE00000754	EN/SW WASHER		1			
019	SE00000755	EN/SW NUT		1			
020	SE21B1110A	ROTARY KNOB RING		1			
021	SE00000861	ROTARY KNOB(BLK)		1			
022	SE00000862	FRONT BAR		2			
023	SE00000709	SCREW PTHE 6X33(CR)		4			
024	SE09176166	HEX SCREW M6X16		1			
025	SE00000864	BATTERY BUMPER-R		1			
026	SE09176166	HEX SCREW M6X16		1			
027	SE00000863	BATTERY BUMPER-L		1			
028	SE09176166	HEX SCREW M6X16		1			
029	SE00000866	REAR BUMPER-R		1			
030	SE09176166	HEX SCREW M6X16		1			
031	SE00000865	REAR BUMPER-L		1			
032	SE00000868	PIN D2X84		1			
033	SE00000539	PIN D2X77 2100B300200		1			
034	SE00000872	XGT PLATE		1			
035	SE00000867	LOCKER COVER		1			
036	SE00000536	LOCKER HINGE 3300B30000010		1			
037	SE00000870	BATTERY COVER (BLUE)		1			
D10		INC. 32-36					
038	SE00000521	SCREW PTB 3X8(ZK) 29S16308001		4			
039	SE00000873	BATTERY COVER PACKING		1			
040	SE9076146A	HEX SCREW M6X14		4			
041	SE024J9070	PACKING		4			
042	SE00000874	SPEAKER PANEL ASS'Y		1			

043	SE09090023	SCREW M4X12		4		
044	SE00000938	RIGHT SPEAKER ASS'Y		1		
045	SE00000876	SPEAKER PACKING		1		
046	SE00000877	BATTERY COVER FIXER PIN		1		
047	SE00000404	SCREW PTHE 3X14(CR)		1		
048	SE00000878	DC JACK COVER		1		
049	SE00000176	SCREW PTHE6X20(CR)		1		
050	SE00000939	HANDLE R ANT DAB		1		
051	SE00000881	HANDLE BAR		1		
052	SE00000879	HANDLE L		1		
053	SE00000176	SCREW PTHE6X20(CR)		1		
054	SE00000715	SCREW PTHE 6X17(CR)		1		
055	SE00000184	SPRING		2		
056	SE09994007	STEEL BALL		2		
057	SE09994007	STEEL BALL		2		
058	SE00000184	SPRING		2		
059	SE00000716	SCREW PTHE 7X16(CR)		1		
060	SE00000717	SCREW PTHE 10.8X4.5(CR)		1		
061	SE00000445	SCREW PTB 3X45(NI)		2		
062	SE00000888	HANDLE SUS-PLATE(R)		1		
063	SE00000942	REAR CABINET		1		
064	SE00000889	HANDLE SUS-PLATE(L)		1		
065	SE00000890	DC JACK HOLDER		1		
066	SE00000944	PCB F ASS'Y		1		
067	SE09090011	SCREW 1.7		2		
068	SE00000892	SPEAKER HOLDER		1		
069	SE00000892	SPEAKER HOLDER		1		
070	SE00000785	PCB G ASS'Y		1		
071	SE00000193	SCREW 3X10		2		
072	SE00000876	SPEAKER PACKING		1		
073	SE00000945	LEFT SPEAKER ASS'Y		1		
074	SE09090023	SCREW M4X12		4		
075	SE00000874	SPEAKER PANEL ASS'Y		1		
076	SE024J9070	PACKING		4		
077	SE9076146A	HEX SCREW M6X14		4		
078	SE00000946	XGT TERMINAL		1		
079	SE00000193	SCREW 3X10		5		
080	SE00000947	CXT TERMINAL 10.8 -A-3PIN ASS'		1		
081	SE00000521	SCREW PTB 3X8(ZK) 29S1630800 1		2		
082	SE00000948	LXT TERMINAL(18V) ASS'Y		1		
083	SE00000521	SCREW PTB 3X8(ZK) 29S1630800 1		2		
084	SE00000949	PCB D+M ASS'Y (BATT._DET)		1		
085	SE00000521	SCREW PTB 3X8(ZK) 29S1630800 1		4		
086	SE00000195	W/TIES 100MM		4		
087	SE00000899	REAR CABINET PACKING		1		
A01	SE00000265	AC ADAPTER		1		

Please state Parts No. when your order.

Print Date 26.10.2023